

Micro Detector Switch (TH Type)



DSF-D1/D2/D3/D4/D5/D6S/T-XXXH


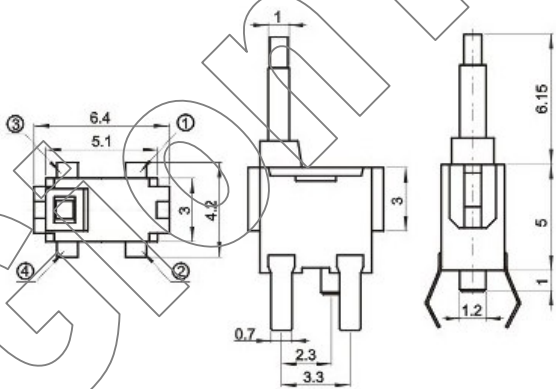
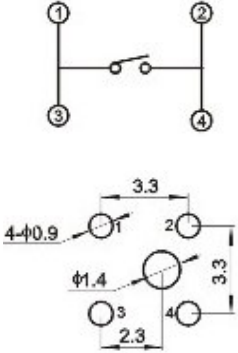
DS - Detector Switch
 F - F Serious
 D1 / D2 / D3 / D4 / D5 / D6 – Type
 T – TH Type
 XXX - Action Force (gram)
 H - With Post (Optional)


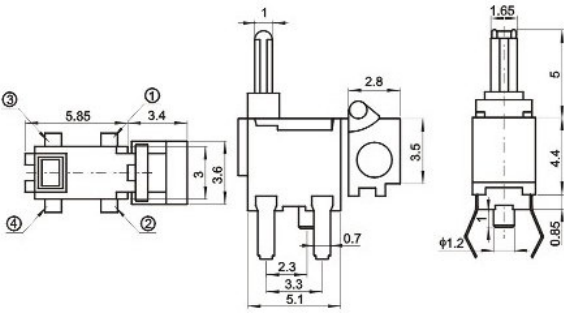
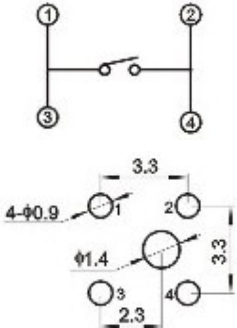

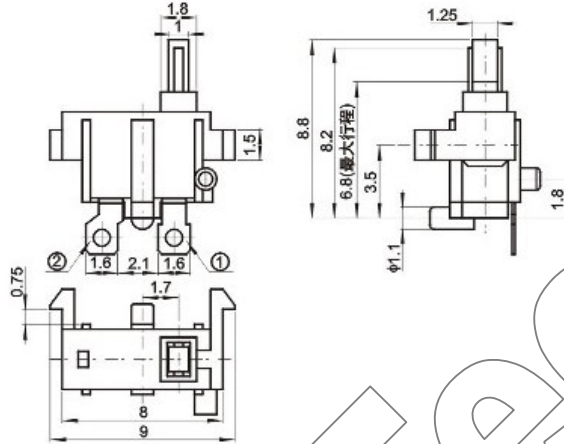
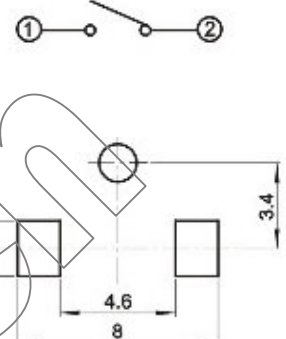

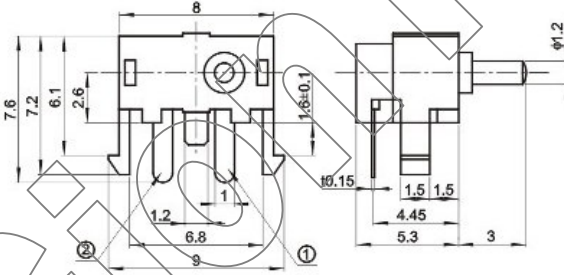
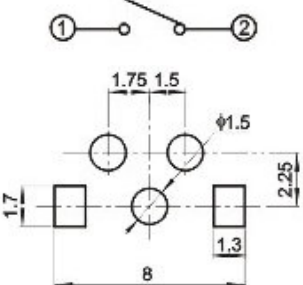
SPECIFICATIONS


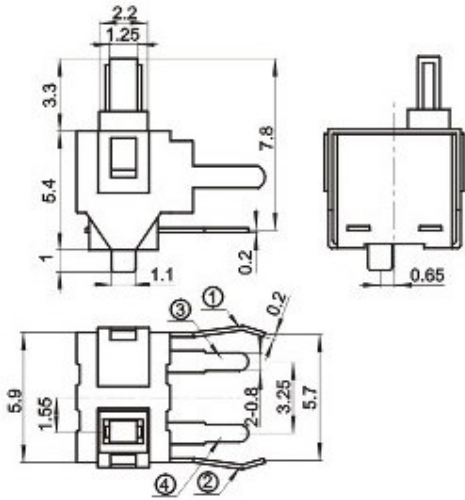
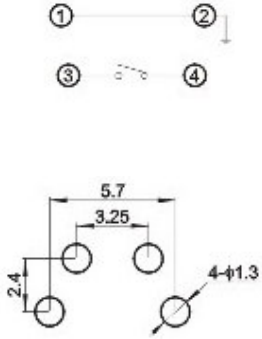

Mechanical Life: 50,000 cycles
 Operating Force: 50g Max.
 Rating: 10mA 30V DC
 Dielectric withstanding: 100V AC/minute
 Insulator resistance: $\geq 100 \text{ M}\Omega$ at 100V
 Contact resistance: $\leq 200 \text{ m}\Omega$ /Contact
 Operating temperature: $-20^\circ\text{C} \sim +70^\circ\text{C}$
 Storage temperature: $-40^\circ\text{C} \sim +85^\circ\text{C}$

Material

Base: PBT/PA66/PA6T/LCP, UL94V-0
 Contact material: Phosphor Bronze
 Contact Spring Plating: Stainless Steel/Silver Plating

Physical Picture	Outline Drawing	Circuit / Footprint
 <p>DSF-D1T-050H</p>		

 <p>DSF-D2T-050H</p>		
 <p>DSF-D3T-050H</p>		
 <p>DSF-D4T-050H</p>		

 <p>DSF-D5T-050H</p>		
 <p>DSF-D6T-050H</p>	